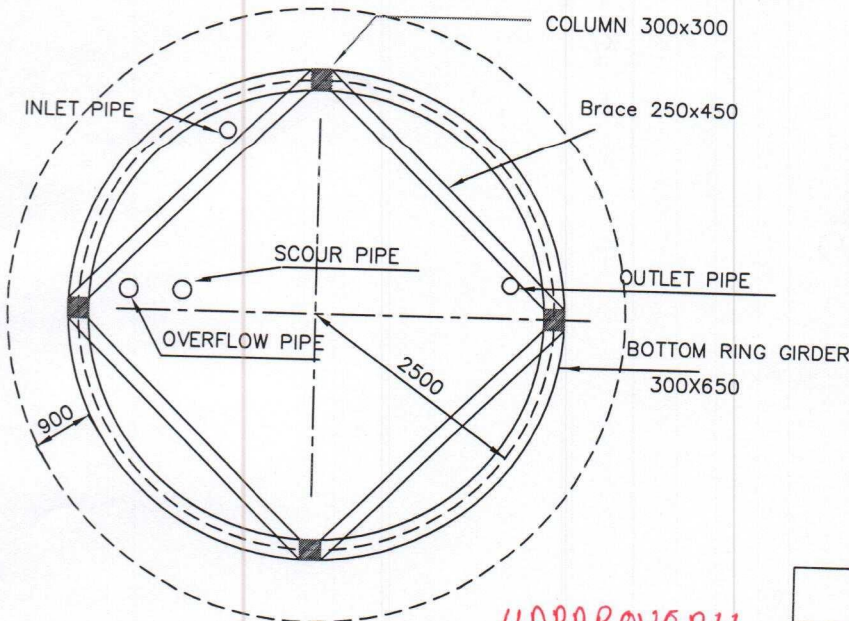


SECTIONAL ELEVATION



PLAN

NOTES

1. Grade of Concrete : M30
2. Grade of Steel : Fe500

3. Clear minimum cover

- a) Water face:
 - Side walls : 45MM
 - Top & Bottom slabs : 45MM
 - Beams : 45MM

- b) Away from Water face:
 - Side walls : 25MM
 - Top & Bottom slabs : 25MM
 - Beams : 25MM

- c) Columns : 40MM
- d) Footings : 50MM

4. All dimension are in 'mm' unless specified.
5. The steel should not be overlapped at the junction points
6. Not more than 1/2 of the bars should be curtailed at a given section
7. Suitable PVC pipe casing has to be Provided in the staircase column up to the top, for installation of lighting Arrester.
8. Seismic Zone : II
9. Wind speed : 44 m/s (Wind pressure: 1.6 kN/m²)
10. free board: 0.2m
11. Dead storage : 0.15m
12. Total staging is 12m and has to be adjusted in last staging
13. The bottom Brace is considered at a height of 2m from top of the Raft ring beam.
14. For detailing of reinforcement IS SP-34 shall be followed .

Government of Telangana.

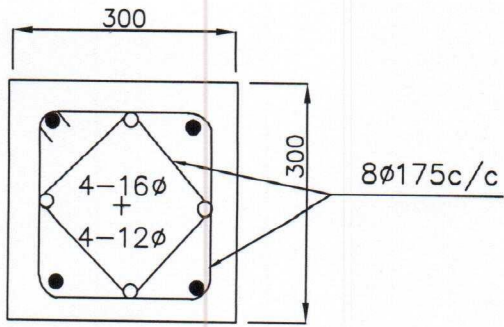
Rural Water Supply & Sanitation Department

Construction of 60 KL capacity OHSR/OHBR 12m staging column type

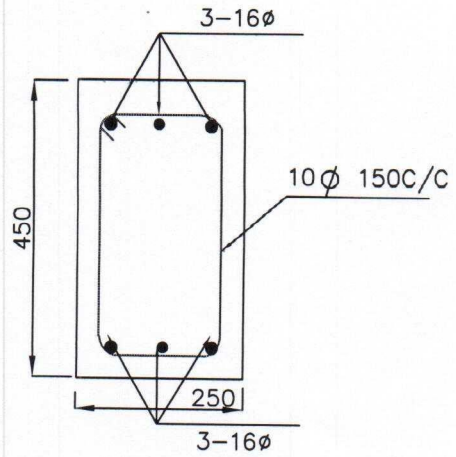
Scale: Not to scale

sheet: 1 of 8

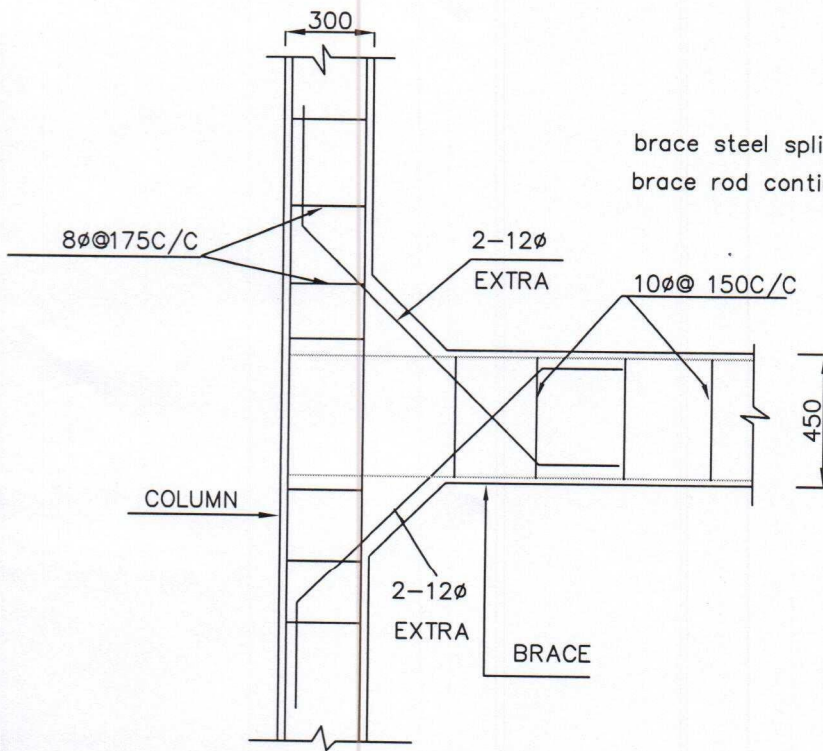
11 APPROVED 11
 G. K. Reddy 18/6/17
CE-1, CE-II, CE-III
TDWSP, Hyderabad.
 B. V. Reddy 18/6/17
 M. S. Reddy 18/6/17
 18/6/2017



SECTION OF COLUMN



SECTION OF BRACE



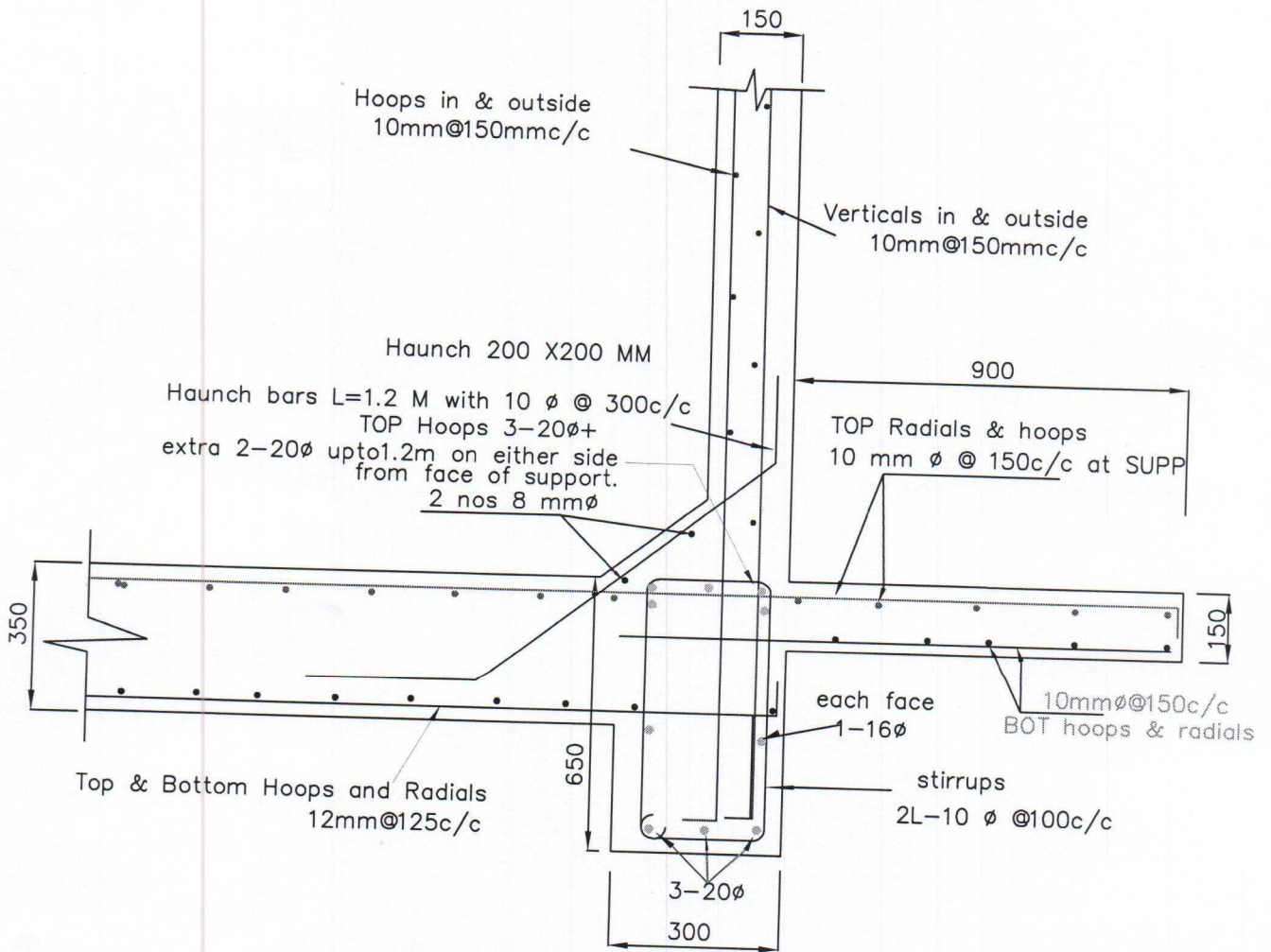
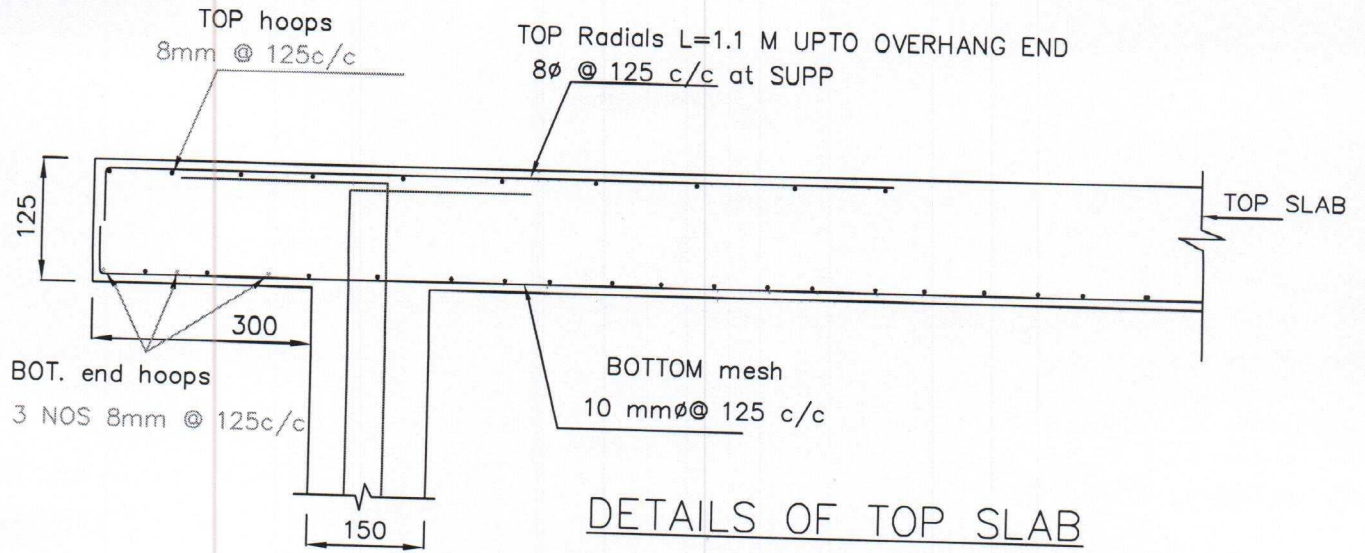
brace steel spliced at middle section only
brace rod continued at support section

COLUMN BRACE JUNCTION

|| APPROVED ||

CE-I, CE-II, CE-III
 TDWSP, Hyderabad
 B/14, B/14, B/14, B/14, B/14

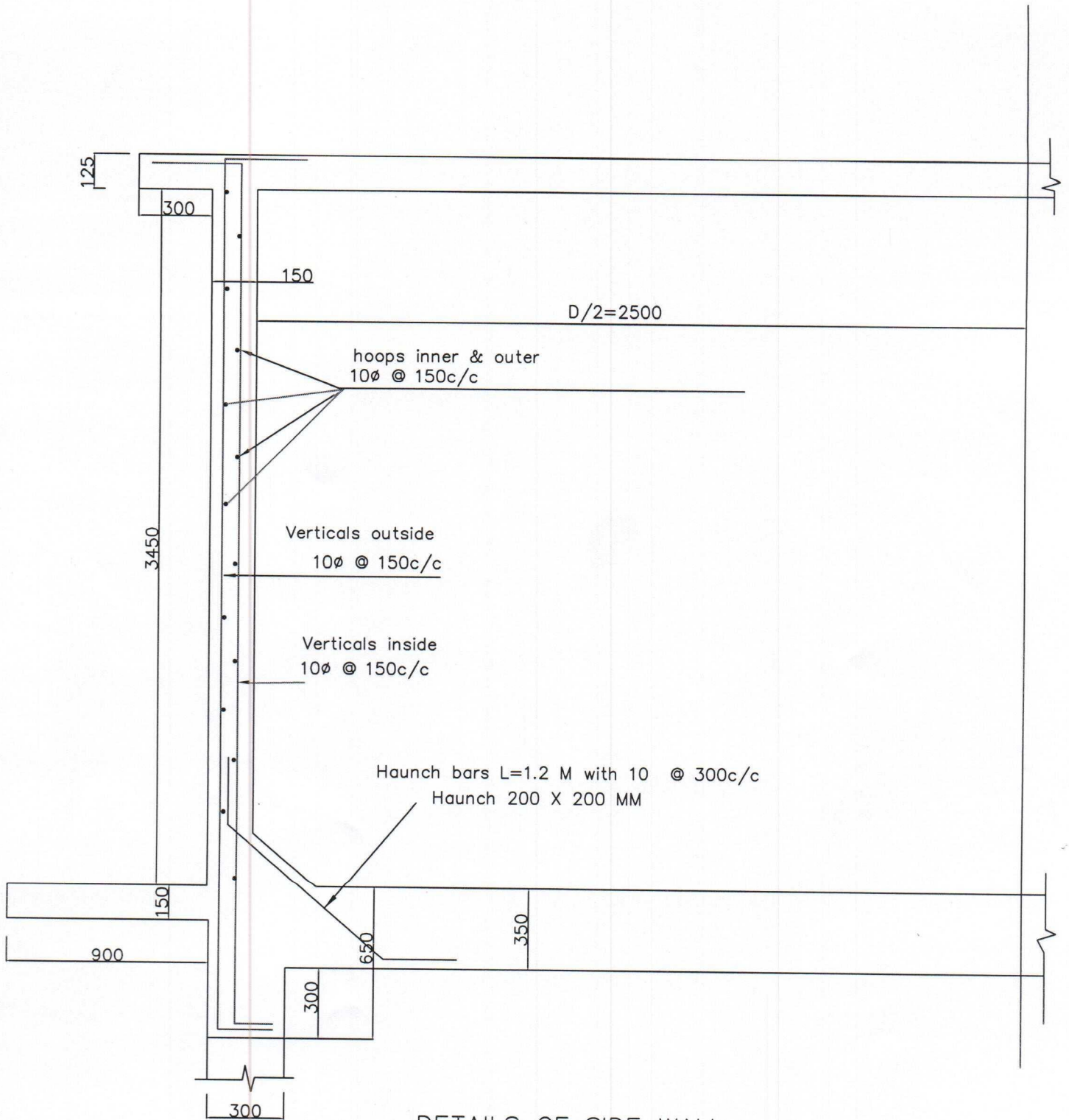
Government of Telangana.	
Rural Water Supply & Sanitation Department	
Construction of 60 KL capacity OHSR/OHBR 12m staging column type	
Scale: Not to scale	sheet: 2 of 8



II APPROVED II

CE-I CE-II CE-III
 TDWSP, Hyderabad
 13/4/13

Government of Telangana	
Rural Water Supply & Sanitation Department	
Construction of 60 KL capacity OHSR/OHBR 12m staging column type	
Scale: Not to scale	sheet: 3 of 8

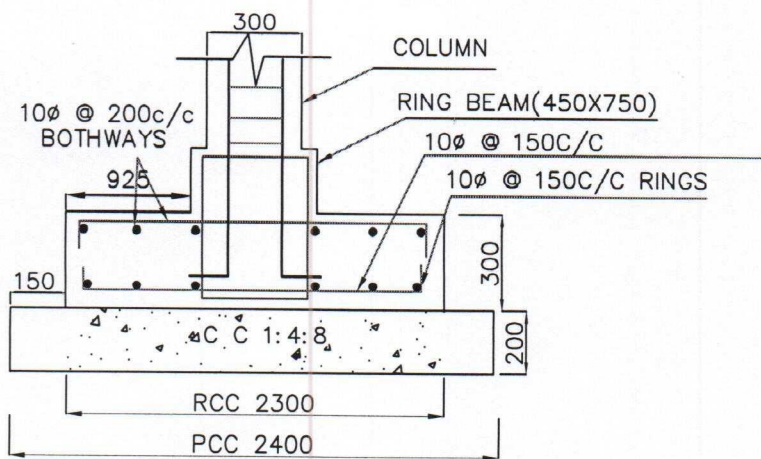


DETAILS OF SIDE WALL

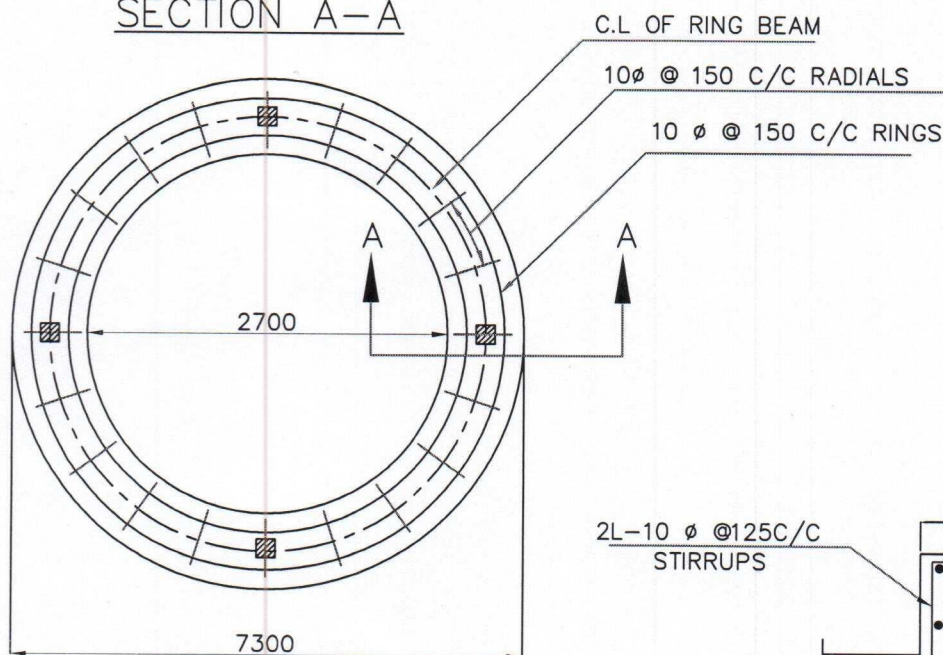
|| APPROVED ||

CE-I, *CE-II*, *CE-III*
 TDWSP, Hyderabad.
 12/4/12
 12/4/12
 12/4/12
 12/4/12
 12/4/12

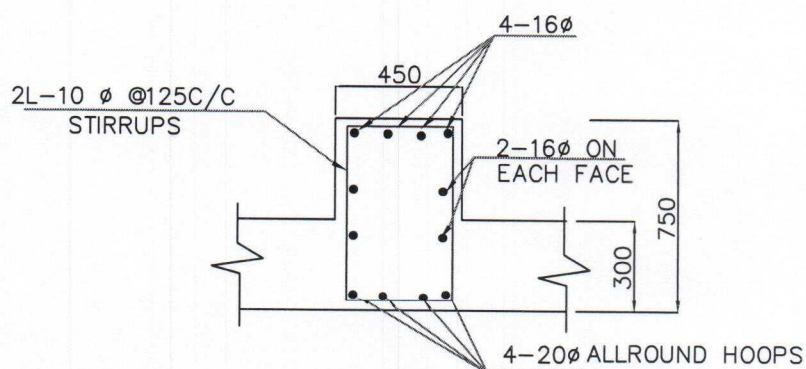
Government of Telangana.	
Rural Water Supply & Sanitation Department	
Construction of 60 KL capacity OHSR/OHBR 12m staging column type	
Scale: Not to scale	sheet: 4 of 8



SECTION A-A



BOTTOM REINFORCEMENT OF
RING FOUNDATION
SBC -7.5t/m²



SECTION OF RING RAFT BEAM

|| APPROVED ||

G. Lakshmi 15/4
P. Jay 15/4/17
 CE-I, CE-II, CE-III
 TDWSP, Hyderabad.
R. Lakshmi 13/4
A. B. S. 13/4/17
M. S. S. 13/4
 EE

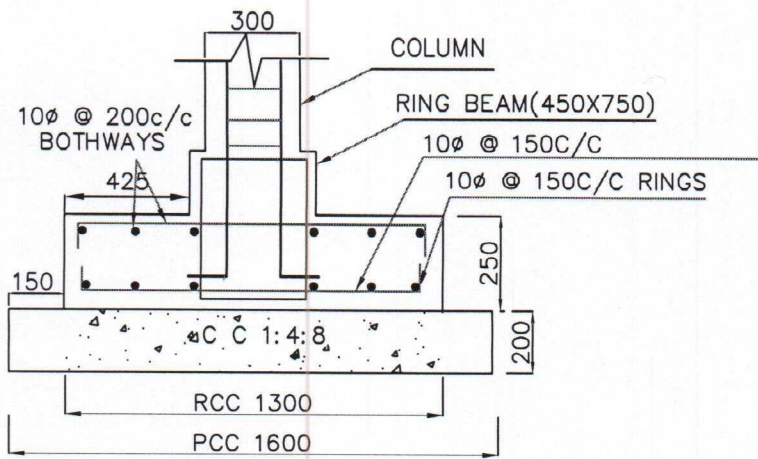
Government of Telangana.

Rural Water Supply & Sanitation
Department

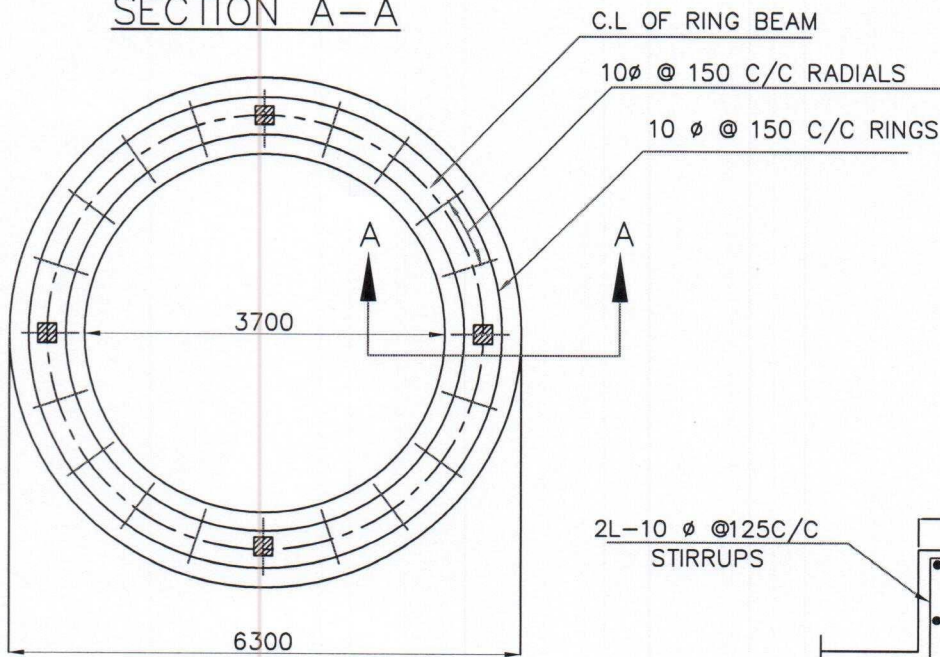
Construction of 60 KL capacity
OHSR/OHBR 12m staging column type

Scale: Not to scale

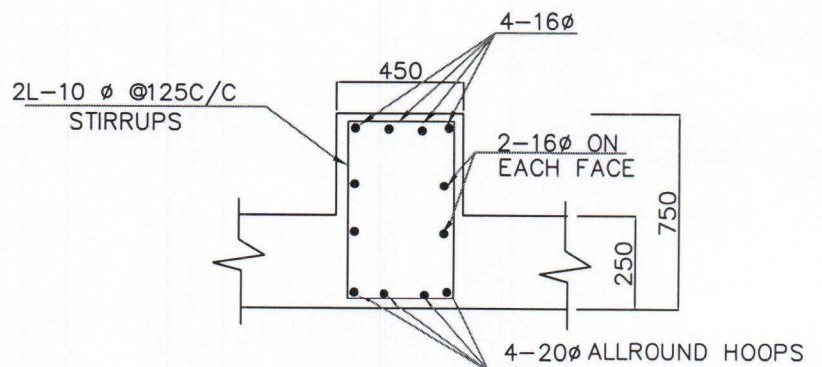
sheet: 5 of 8



SECTION A-A



BOTTOM REINFORCEMENT OF
RING FOUNDATION
SBC -15t/m²



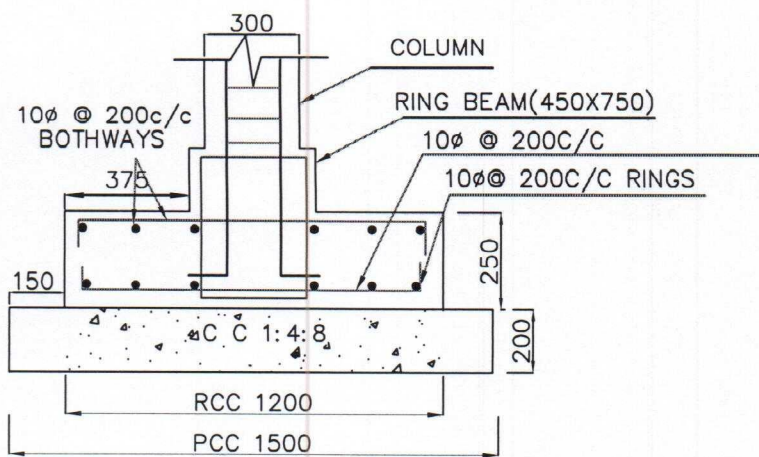
SECTION OF RING RAFT BEAM

4 APPROVED LI

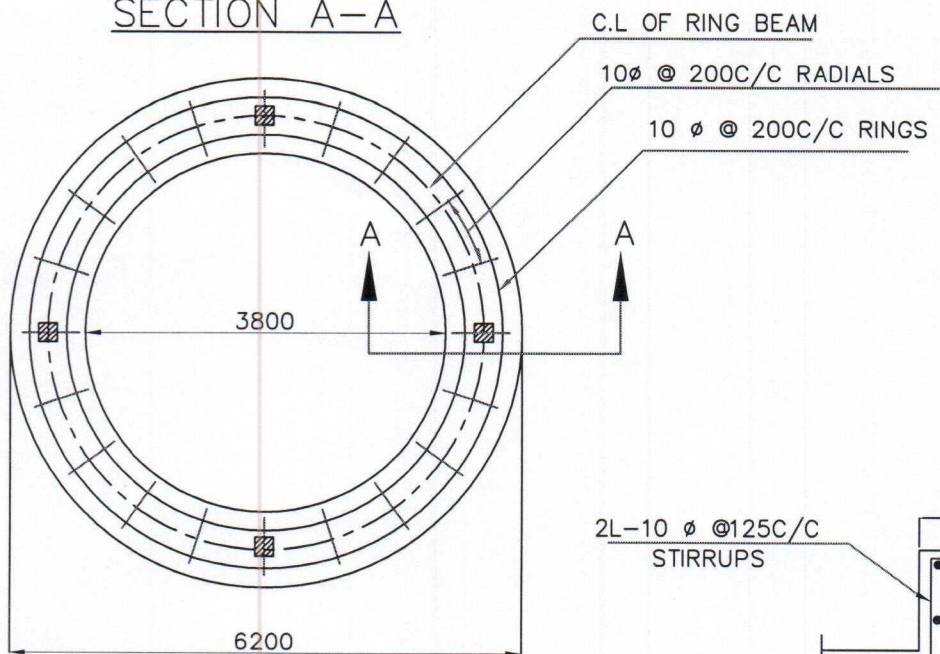
G. M. Meera
18/4
CE-I, CE-II, CE-III
TDWSP, Hyderabad

12/4 *13/4* *13/4* *13/4* *13/4*
BE

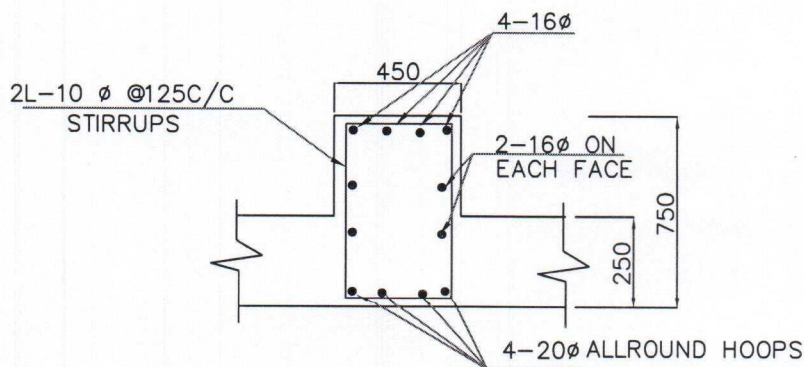
Government of Telangana.	
Rural Water Supply & Sanitation Department	
Construction of 60 KL capacity OHSR/OHBR 12m staging column type	
Scale: Not to scale	sheet: 6 of 8



SECTION A-A



BOTTOM REINFORCEMENT OF RING FOUNDATION
SBC - 20t/m²



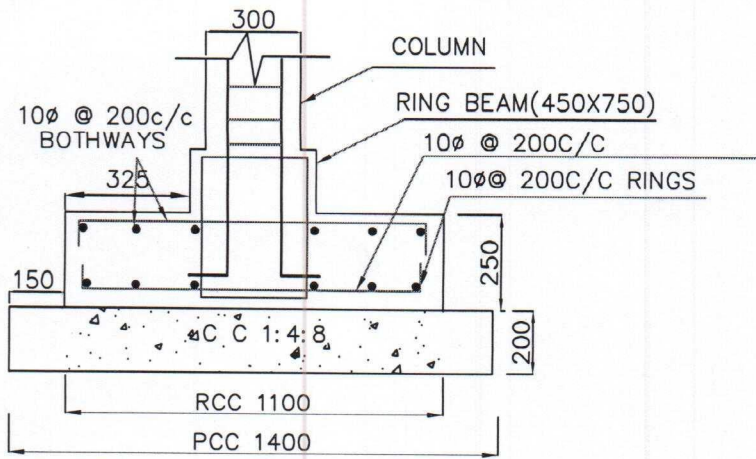
SECTION OF RING RAFT BEAM

II APPROVED II

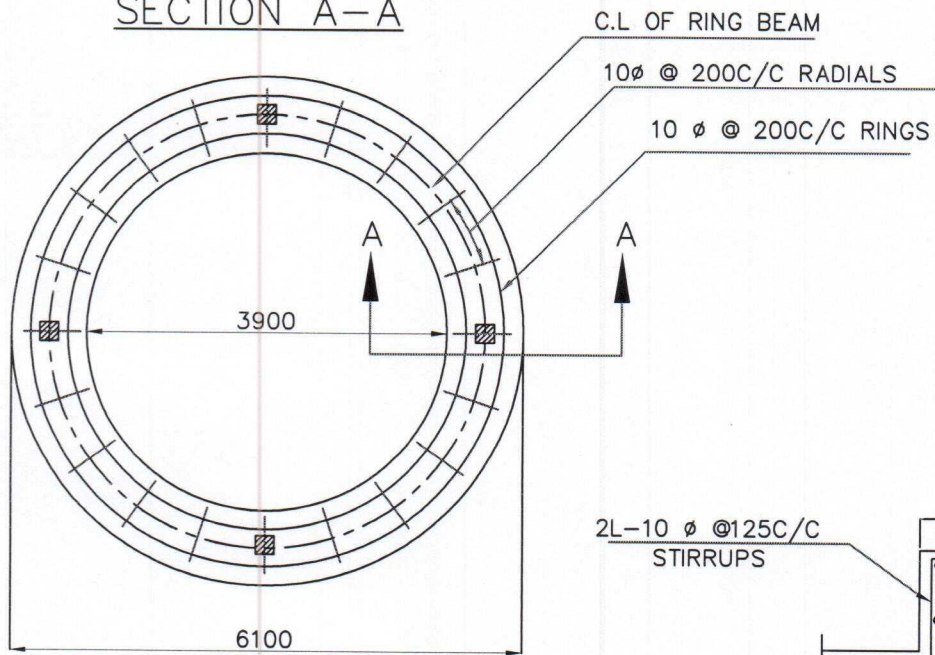
CE-I, CE-II, CE-III
T D W S P, Hyderabad.

13/4/17
13/4
13/4
13/4
13/4
13/4

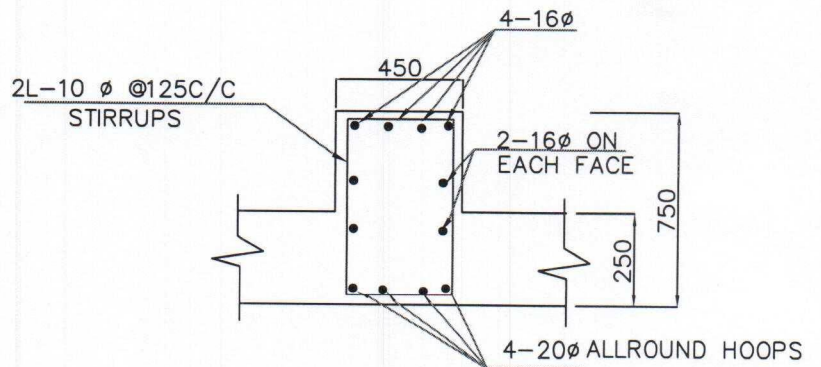
Government of Telangana.	
Rural Water Supply & Sanitation Department	
Construction of 60 KL capacity OHSR/OHBR 12m staging column type	
Scale: Not to scale	sheet: 7 of 8



SECTION A-A



BOTTOM REINFORCEMENT OF
RING FOUNDATION
SBC - 30t/m²



SECTION OF RING RAFT BEAM

II APPROVED II

CE-I, CE-II, CE-III
TDWSP, Hyderabad.

12/4
13/4
13/4
12/4/17
13/4
EE

Government of Telangana.	
Rural Water Supply & Sanitation Department	
Construction of 60 KL capacity OHSR/OHBR 12m staging column type	
Scale: Not to scale	sheet: 8 of 8